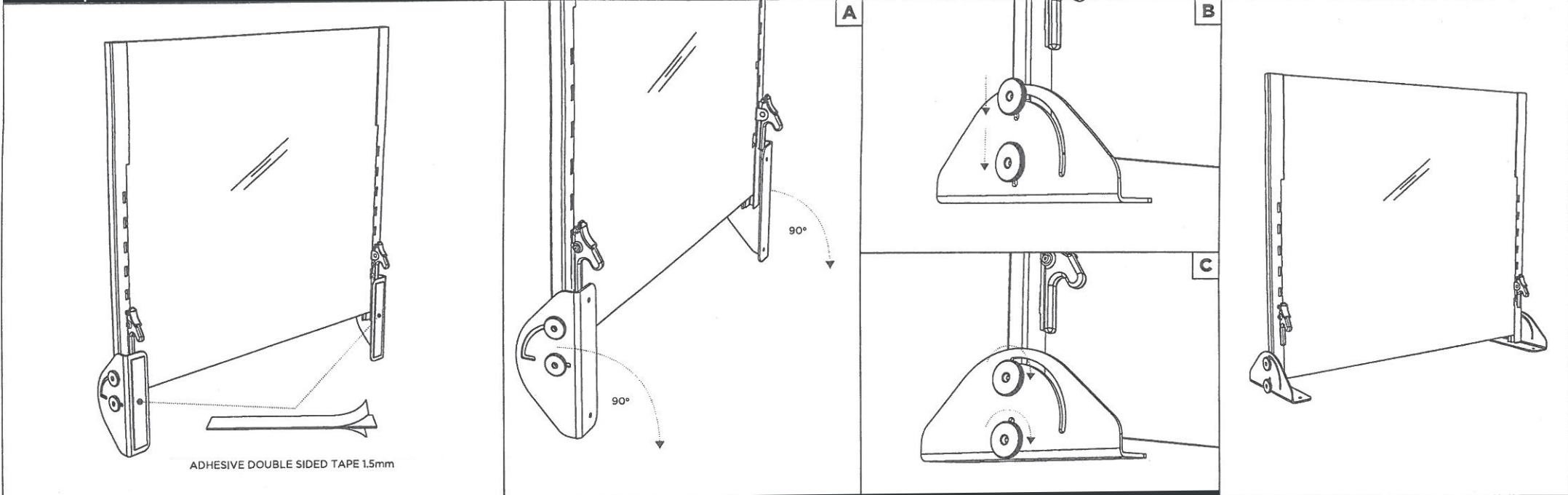


Components

Rotate Foot by 90°



Placement

Adjust to desired height

